

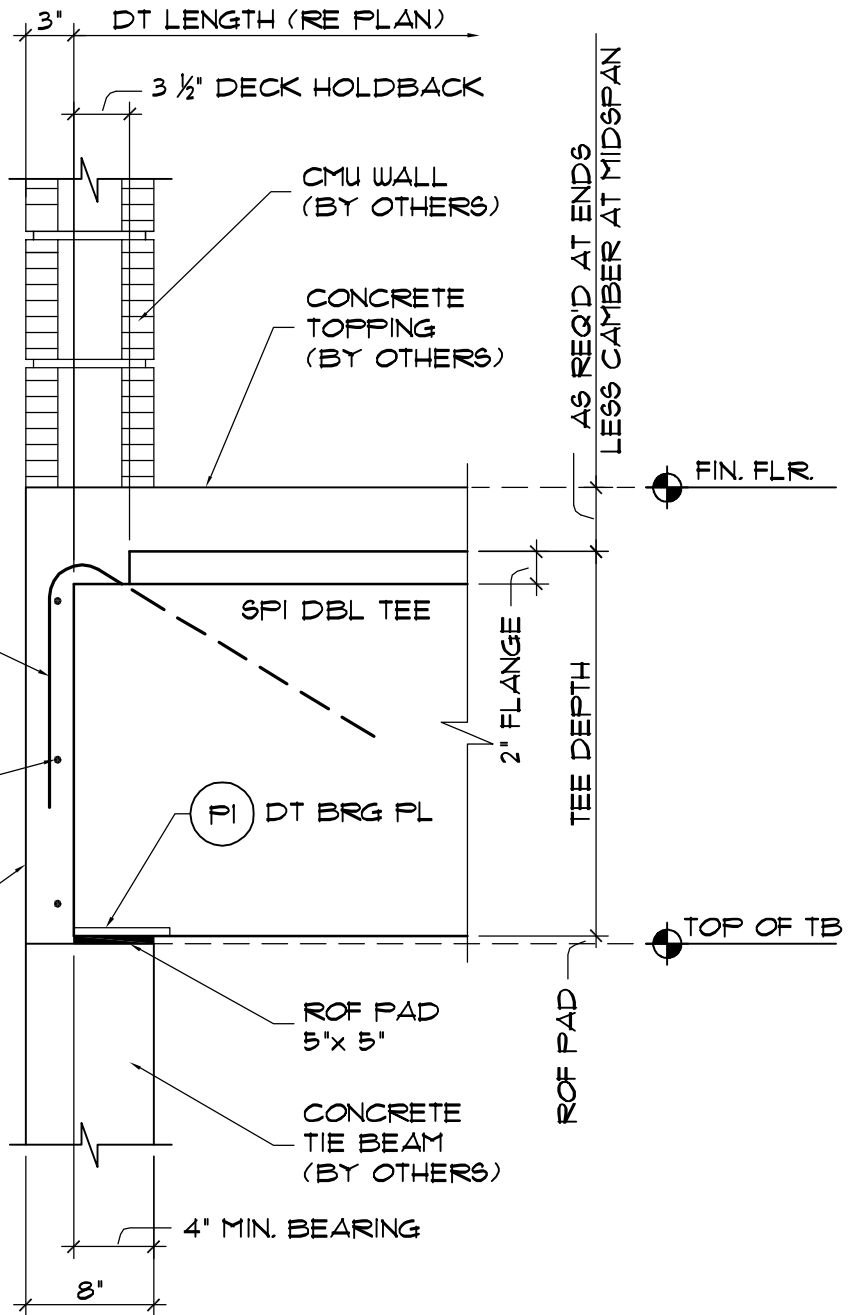
NOTE 1

IT IS THE G.C. RESPONSIBILITY TO ENSURE THAT THE #4 BAR, PROJECTING OUT OF DOUBLE TEE STEM IS HOOKED AROUND THE LONGITUDINAL STEEL IN CLOSURE FOUR. BARS BENT INTO FOUR WITHOUT SUCH PROPER ANCHORAGE WILL NOT PROVIDE THE CONNECTION CAPACITY AS DESIGNED BY S.P.I. ENGINEERING.

ONE #4 x 3'-6" W/1'-6" PROJECTION AT EACH STEM. BAR TO BE HOOKED AROUND ONE OF THE LONGITUDINAL BARS IN THE TIE BEAM CLOSURE FOUR (MINIMUM).

#4 x CONTINUOUS (BY OTHERS)

CLOSURE FOUR AND REINFORCING BY OTHERS



DOUBLE TEE TO EXTERIOR WALL AT FLOOR SYSTEM

STANDARD DOUBLE TEE DETAIL

NO	REVISIONS	DATE



STRUCTURAL
PRESTRESSED
INDUSTRIES,
INC.

DRWG. BY: H. PEREZ

DATE: 06-26-09

JOB NO.

STANDARDS

CHK'D. BY: R.H.

DATE: 06-26-09

SHT. NO.

DT-1

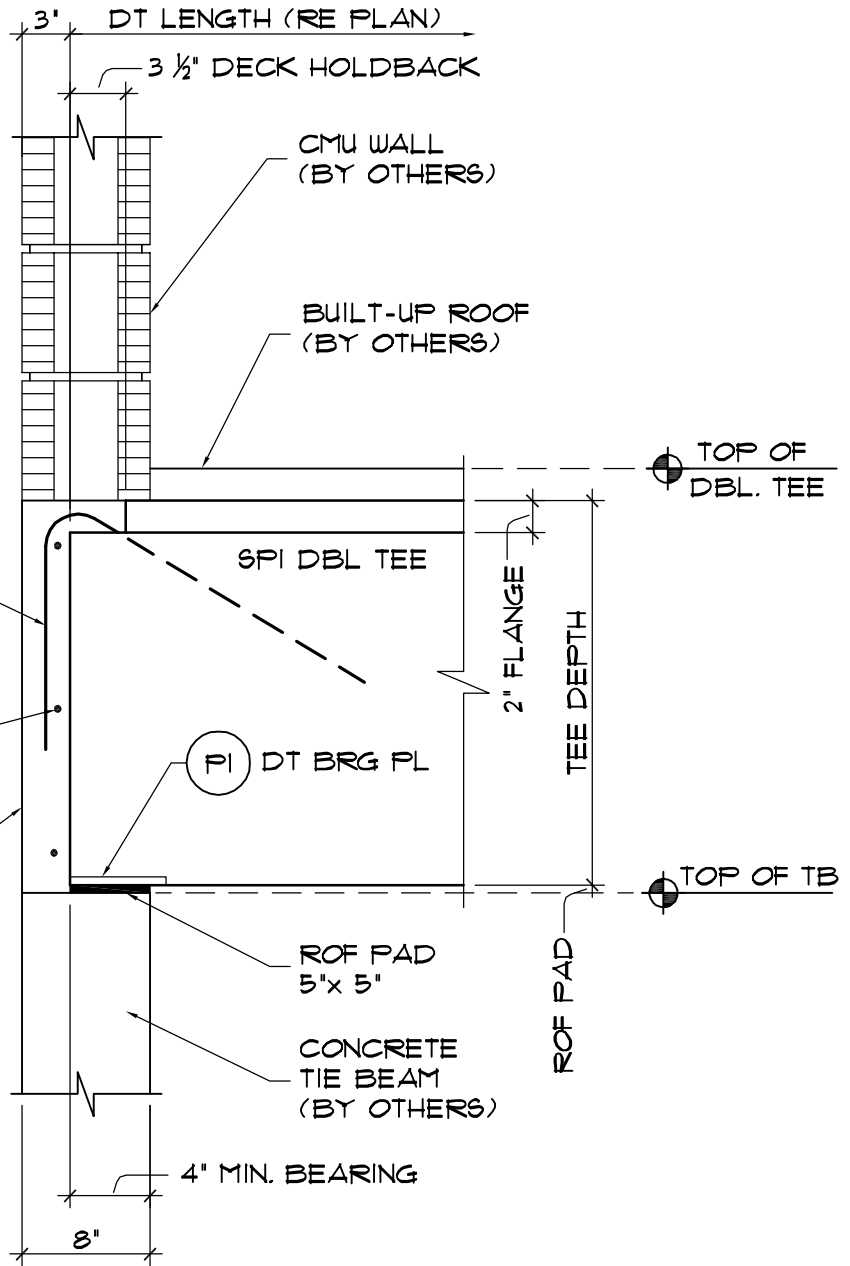
NOTE 1

IT IS THE G.C. RESPONSIBILITY TO ENSURE THAT THE #4 BAR, PROJECTING OUT OF DOUBLE TEE STEM IS HOOKED AROUND THE LONGITUDINAL STEEL IN CLOSURE POUR. BARS BENT INTO FOUR WITHOUT SUCH PROPER ANCHORAGE WILL NOT PROVIDE THE CONNECTION CAPACITY AS DESIGNED BY S.P.I. ENGINEERING.

ONE #4 x 3'-6" W/1'-6" PROJECTION AT EACH STEM. BAR TO BE HOOKED AROUND ONE OF THE LONGITUDINAL BARS IN THE TIE BEAM CLOSURE POUR (MINIMUM).

#4 x CONTINUOUS BY OTHERS

CLOSURE POUR AND REINFORCING BY OTHERS



DOUBLE TEE TO EXTERIOR WALL AT ROOF SYSTEM

STANDARD DOUBLE TEE DETAIL

NO	REVISIONS	DATE



STRUCTURAL
PRESTRESSED
INDUSTRIES,
INC.

DRWG. BY: H. PEREZ

DATE: 06-26-09

JOB NO.

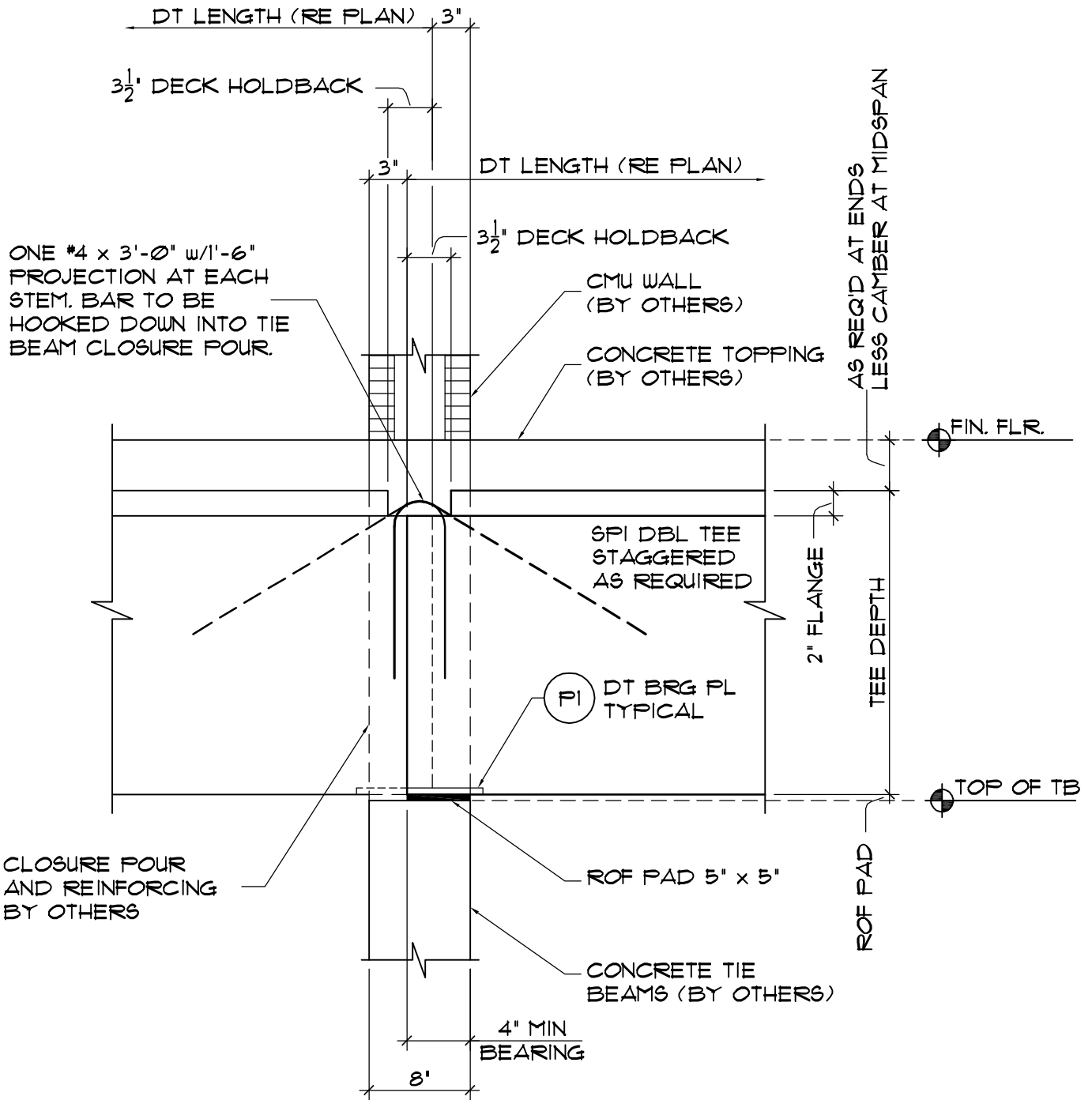
STANDARDS

CHK'D. BY: R.H.

DATE: 06-26-09

SHT. NO.

DT-2



DOUBLE TEE TO INTERIOR WALL AT FLOOR SYSTEM

STANDARD DOUBLE TEE DETAIL

NO	REVISIONS	DATE



STRUCTURAL
PRESTRESSED
INDUSTRIES,
INC.

DRWG. BY: H. PEREZ

DATE: 06-26-09

JOB NO.

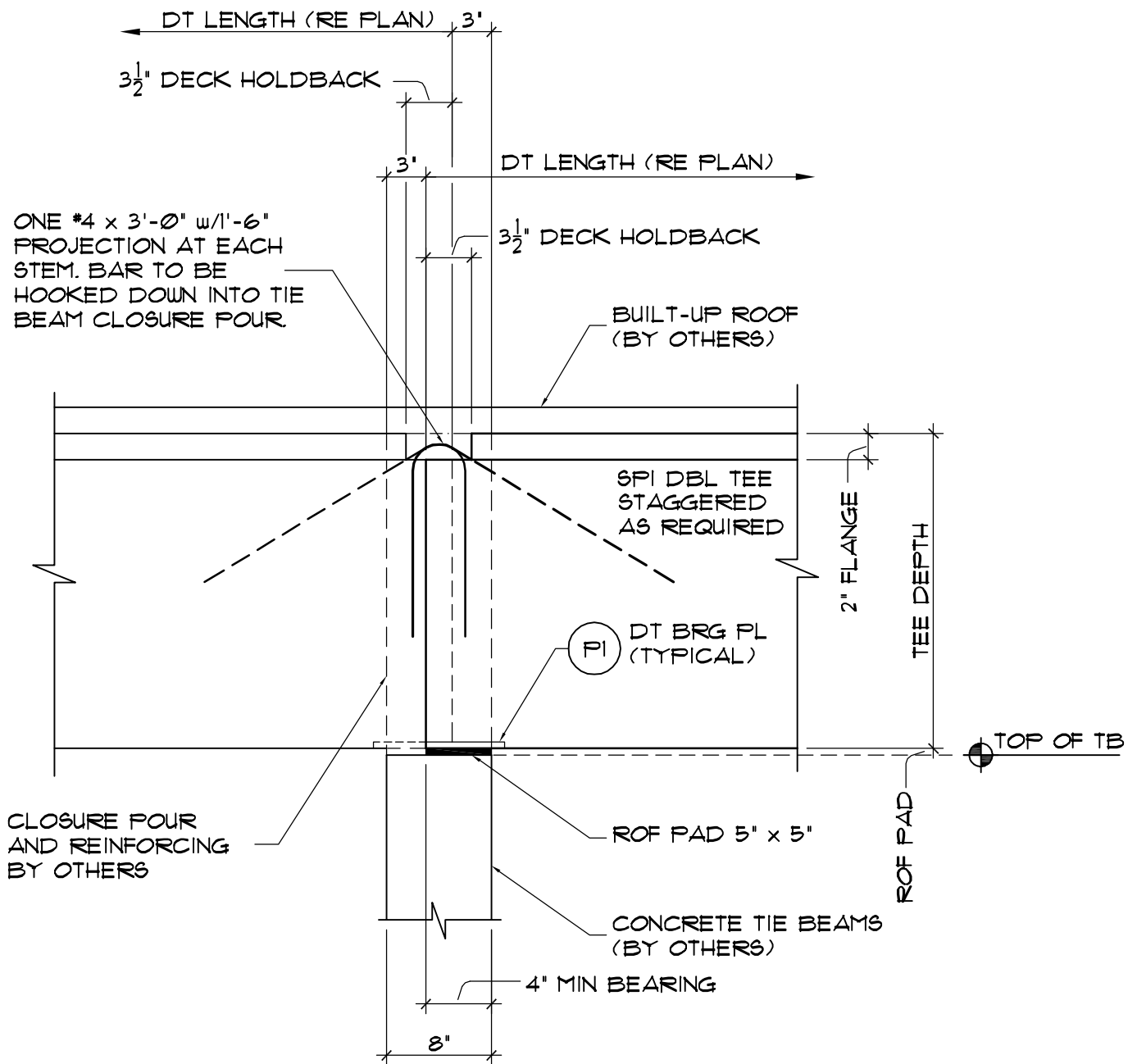
STANDARDS

CHK'D. BY: R. H.

DATE: 06-26-09

SHT. NO.

DT-3



DOUBLE TEE TO INTERIOR WALL AT ROOF SYSTEM

STANDARD DOUBLE TEE DETAIL

NO	REVISIONS	DATE



STRUCTURAL
PRESTRESSED
INDUSTRIES,
INC.

DRWG. BY: H. PEREZ

DATE: 06-26-09

JOB NO.

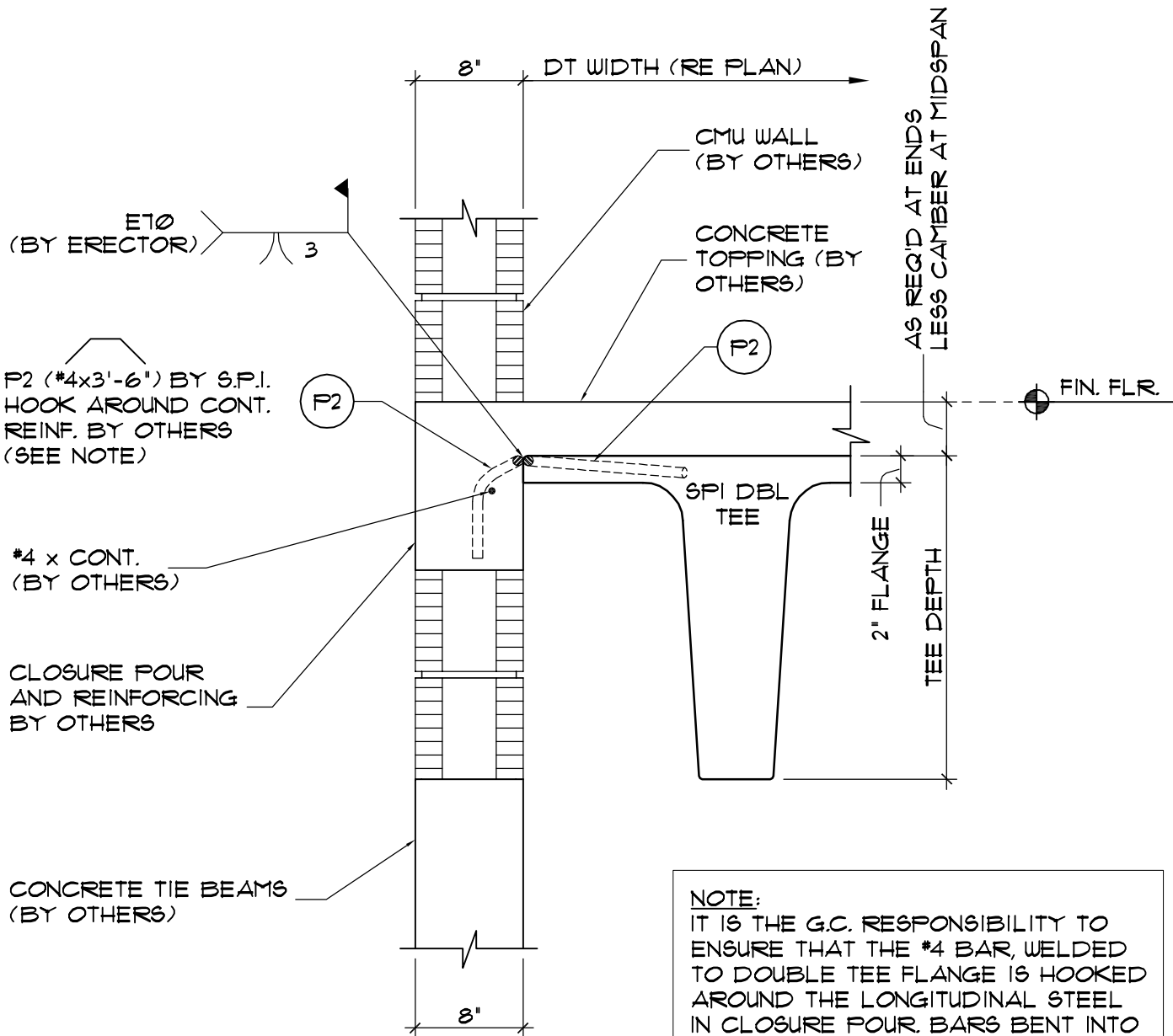
STANDARDS

CHK'D. BY: R. H.

DATE: 06-26-09

SHT. NO.

DT-4



NOTE:
 IT IS THE G.C. RESPONSIBILITY TO ENSURE THAT THE #4 BAR, WELDED TO DOUBLE TEE FLANGE IS HOOKED AROUND THE LONGITUDINAL STEEL IN CLOSURE POUR. BARS BENT INTO FOUR WITHOUT SUCH PROPER ANCHORAGE WILL NOT PROVIDE THE CONNECTION CAPACITY AS DESIGNED BY S.P.I. ENGINEERING.

DOUBLE TEE TO EXTERIOR WALL AT FLOOR SYSTEM

STANDARD DOUBLE TEE DETAIL

NO	REVISIONS	DATE



STRUCTURAL
 PRESTRESSED
 INDUSTRIES,
 INC.

DRWG. BY: H. PEREZ

DATE: 06-26-09

JOB NO.

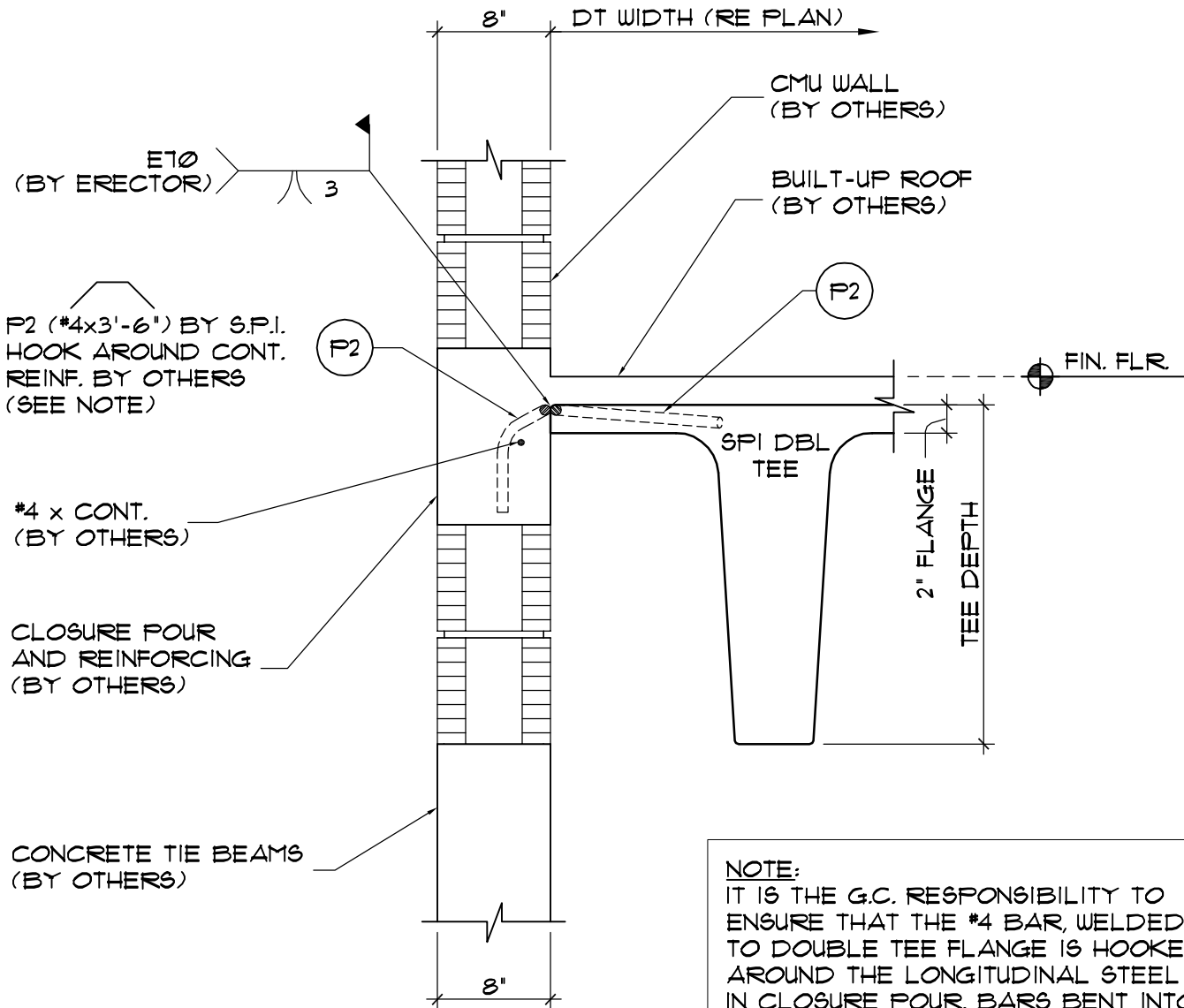
STANDARDS

CHK'D. BY: R. H.

DATE: 06-26-09

SHT. NO.

DT-5



NOTE:
 IT IS THE G.C. RESPONSIBILITY TO ENSURE THAT THE #4 BAR, WELDED TO DOUBLE TEE FLANGE IS HOOKED AROUND THE LONGITUDINAL STEEL IN CLOSURE FOUR BARS BENT INTO POUR WITHOUT SUCH PROPER ANCHORAGE WILL NOT PROVIDE THE CONNECTION CAPACITY AS DESIGNED BY S.P.I. ENGINEERING.

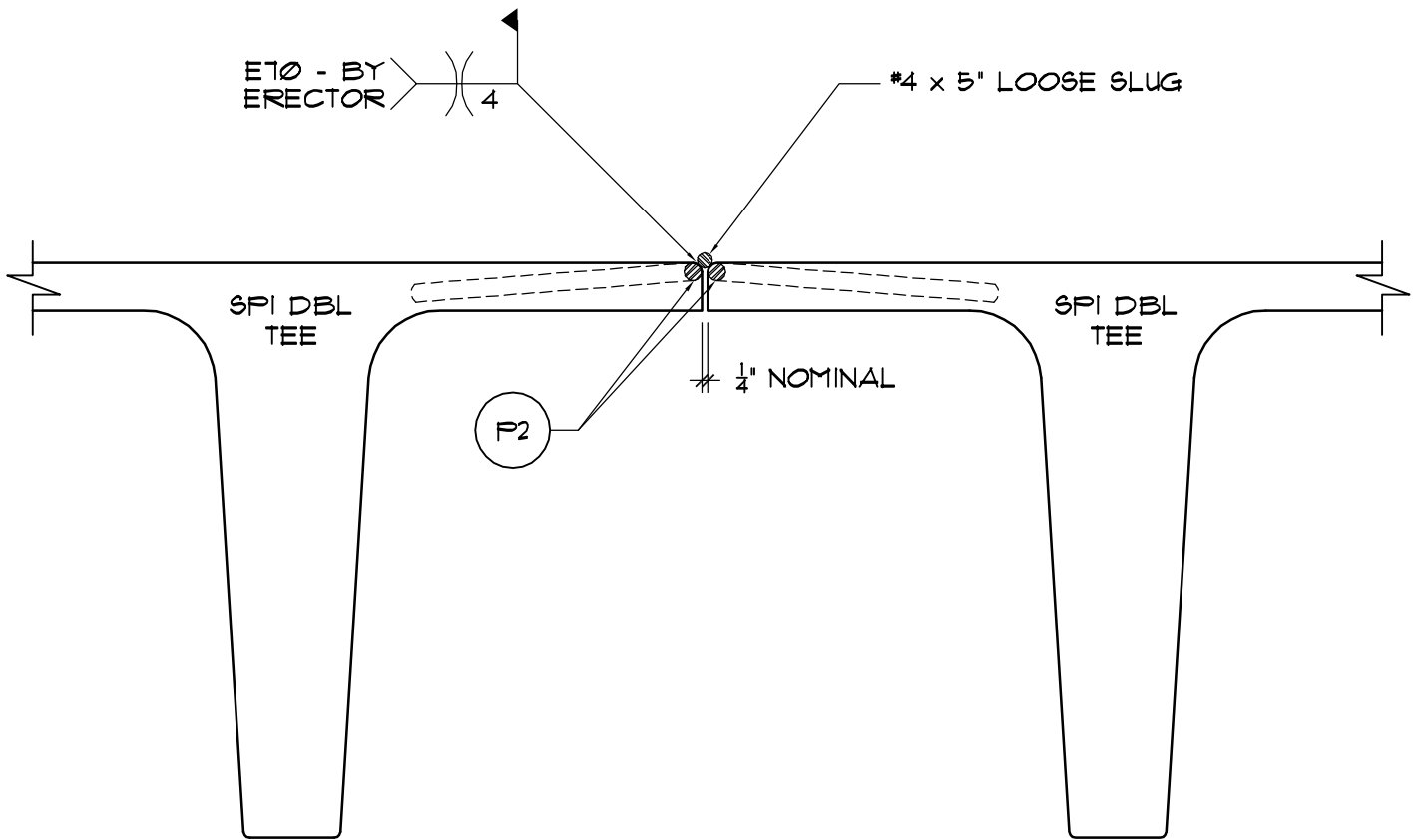
**DOUBLE TEE TO EXTERIOR WALL AT ROOF SYSTEM
 STANDARD DOUBLE TEE DETAIL**

NO	REVISIONS	DATE



**STRUCTURAL
 PRESTRESSED
 INDUSTRIES,
 INC.**

DRWG. BY: H. PEREZ	CHK'D. BY: R. H.
DATE: 06-26-09	DATE: 06-26-09
JOB NO. STANDARDS	SHT. NO. DT-6



DOUBLE TEE FLANGE SHEAR CONNECTION

STANDARD DOUBLE TEE DETAIL

NO	REVISIONS	DATE



STRUCTURAL
PRESTRESSED
INDUSTRIES,
INC.

DRWG. BY: H. PEREZ

DATE: 06-26-09

JOB NO.

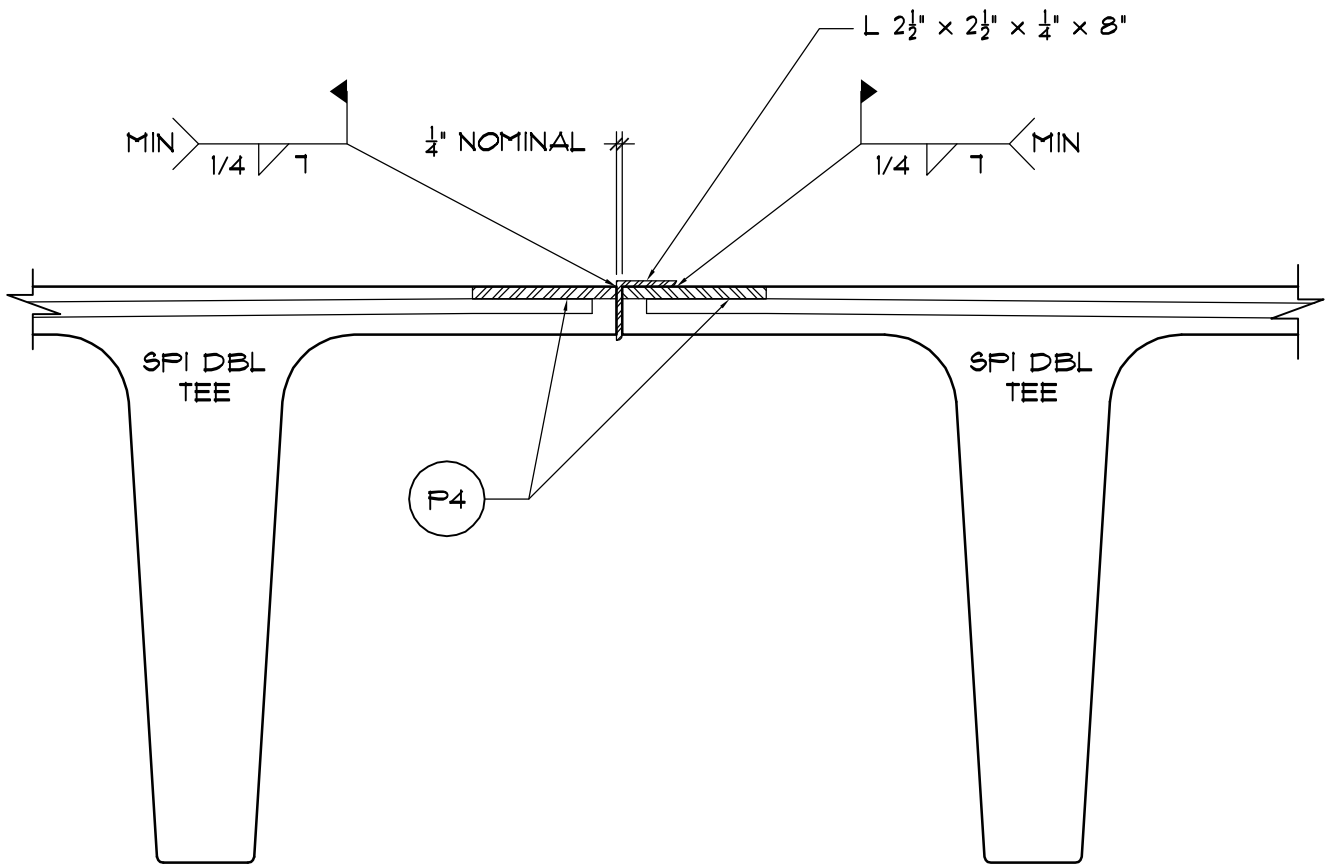
STANDARDS

CHK'D. BY: R. H.

DATE: 06-26-09

SHT. NO.

DT-7



DOUBLE TEE FLANGE CHORD CONNECTION (HEAVY)

STANDARD DOUBLE TEE DETAIL

NO	REVISIONS	DATE



STRUCTURAL
PRESTRESSED
INDUSTRIES,
INC.

DRWG. BY: H. PEREZ

DATE: 06-26-09

JOB NO.

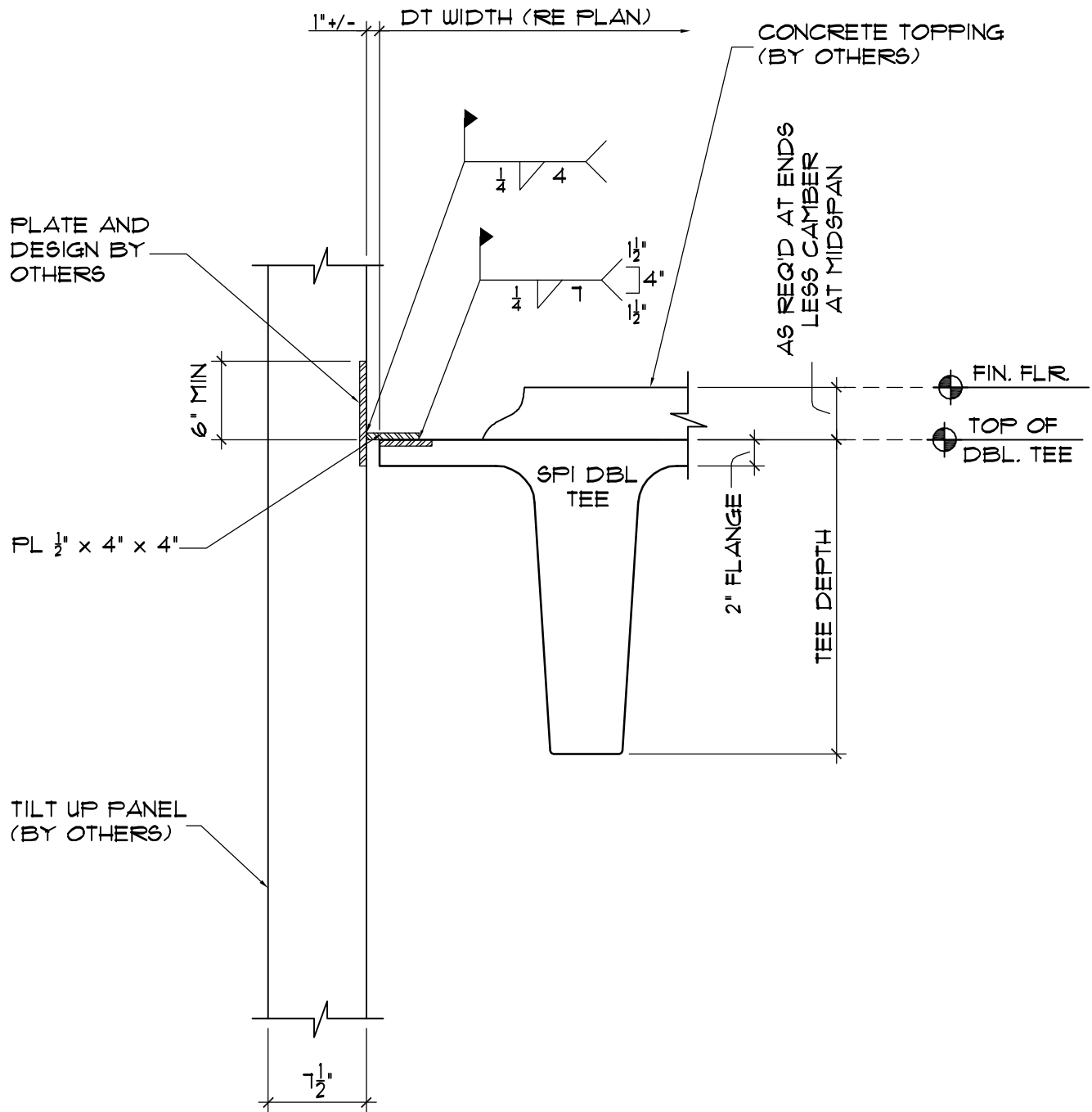
STANDARDS

CHK'D. BY: R. H.

DATE: 06-26-09

SHT. NO.

DT-8



CONNECTION • DOUBLE TEE AND TILT-UP PANEL AT FLOOR

STANDARD DOUBLE TEE DETAIL

NO	REVISIONS	DATE



STRUCTURAL
PRESTRESSED
INDUSTRIES,
INC.

DRWG. BY: H. PEREZ

DATE: 06-26-09

JOB NO.

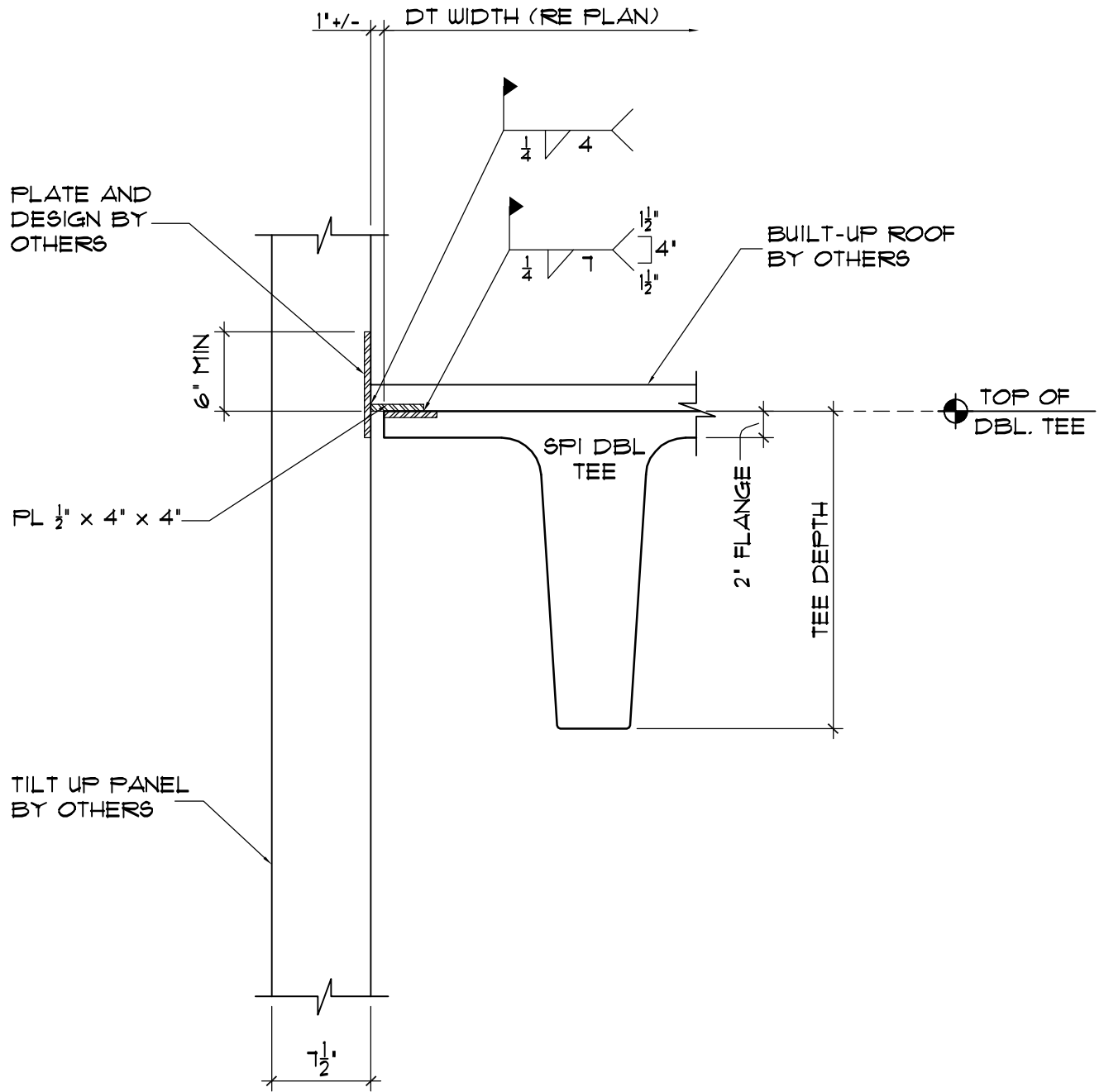
STANDARDS

CHK'D. BY: R. H.

DATE: 06-26-09

SHT. NO.

DT-9



CONNECTION • DOUBLE TEE AND TILT-UP PANEL AT ROOF

STANDARD DOUBLE TEE DETAIL

NO	REVISIONS	DATE



STRUCTURAL
PRESTRESSED
INDUSTRIES,
INC.

DRWG. BY: H. PEREZ

DATE: 06-26-09

JOB NO.

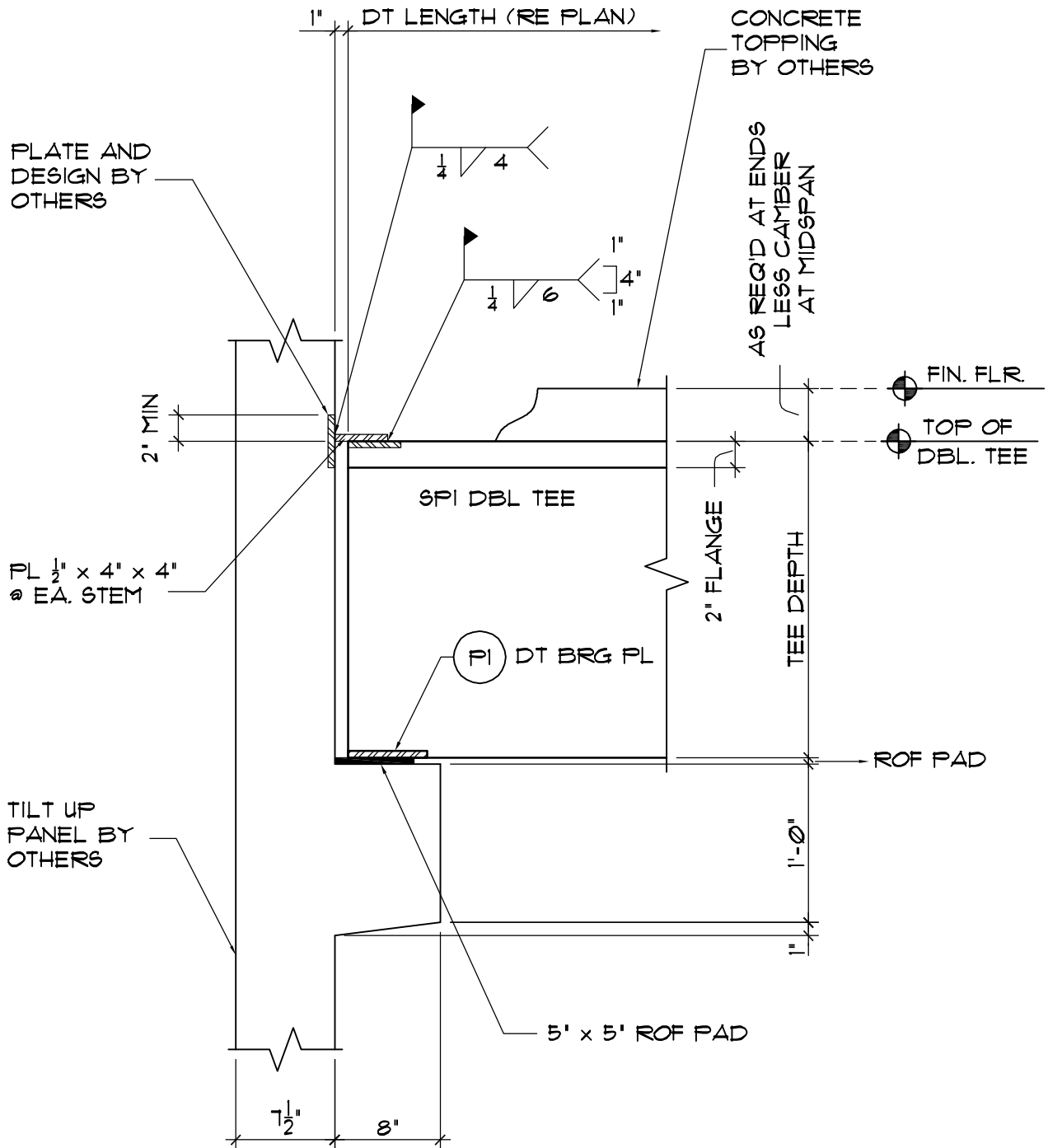
STANDARDS

CHK'D. BY: R. H.

DATE: 06-26-09

SHT. NO.

DT-10



CONNECTION • DOUBLE TEE AND TILT-UP PANEL AT FLOOR

STANDARD DOUBLE TEE DETAIL

NO	REVISIONS	DATE



STRUCTURAL
PRESTRESSED
INDUSTRIES,
INC.

DRWG. BY: H. PEREZ

DATE: 06-26-09

JOB NO.

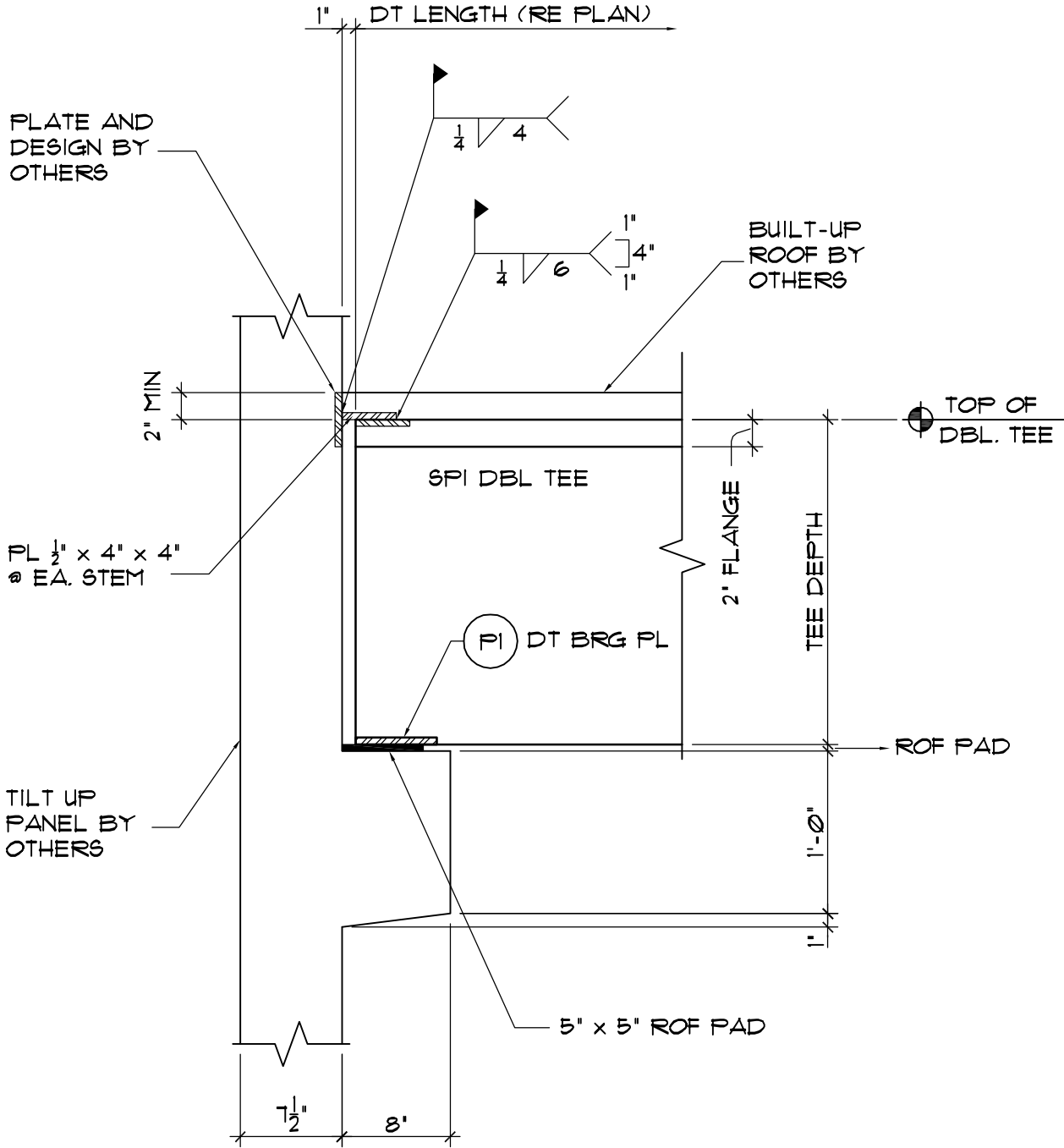
STANDARDS

CHK'D. BY: R.H.

DATE: 06-26-09

SHT. NO.

DT-11



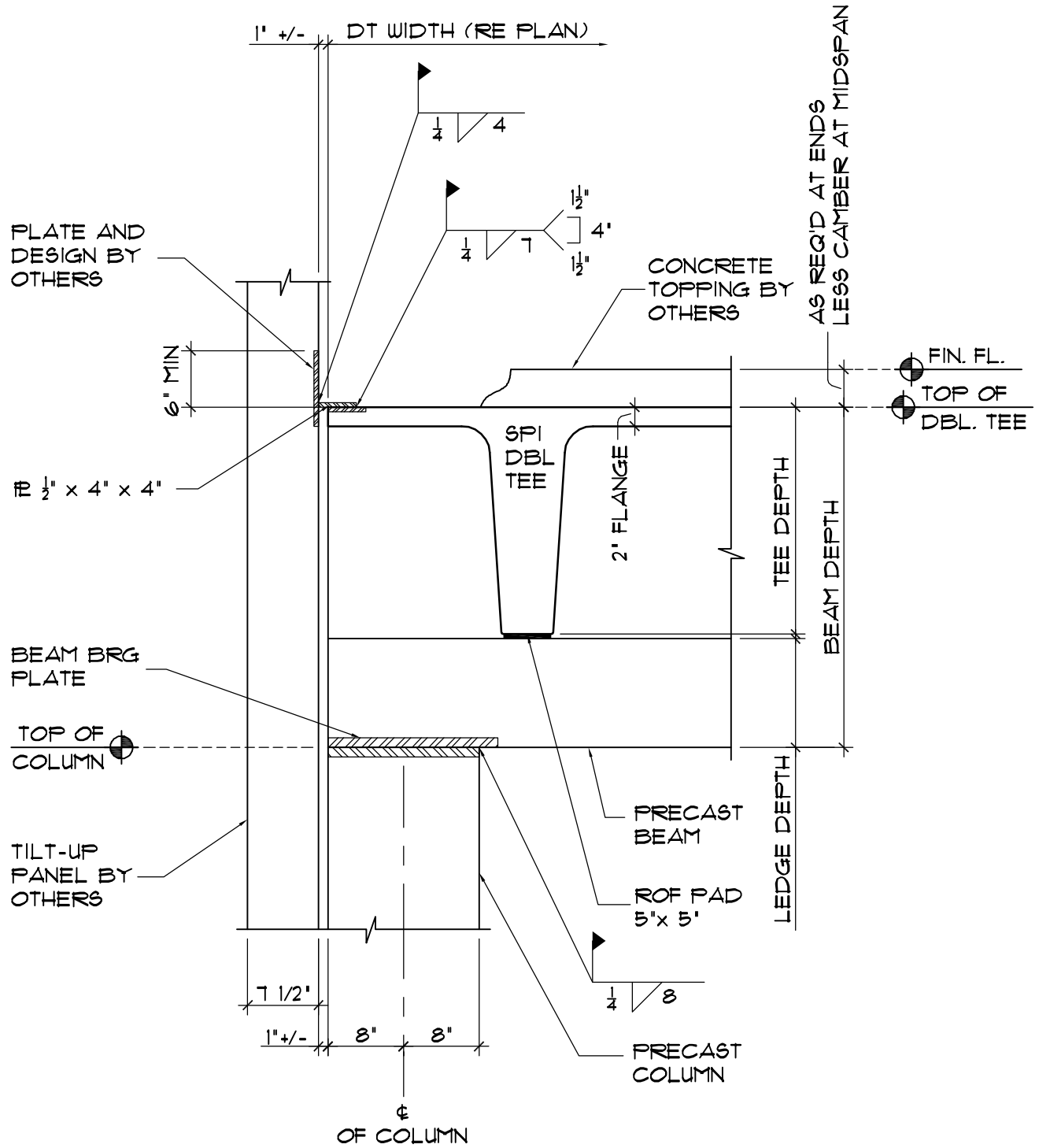
CONNECTION • DOUBLE TEE AND TILT-UP PANEL AT ROOF
STANDARD DOUBLE TEE DETAIL

NO	REVISIONS	DATE



**STRUCTURAL
PRESTRESSED
INDUSTRIES,
INC.**

DRWG. BY: H. PEREZ	CHK'D. BY: R. H.
DATE: 06-26-09	DATE: 06-26-09
JOB NO. STANDARDS	SHT. NO. DT-12



CONNECTION • BEAM TO COLUMN/TILT-UP WALL AT FLOOR

STANDARD DOUBLE TEE DETAIL

NO	REVISIONS	DATE



STRUCTURAL
PRESTRESSED
INDUSTRIES,
INC.

DRWG. BY: H. PEREZ

DATE: 06-26-09

JOB NO.

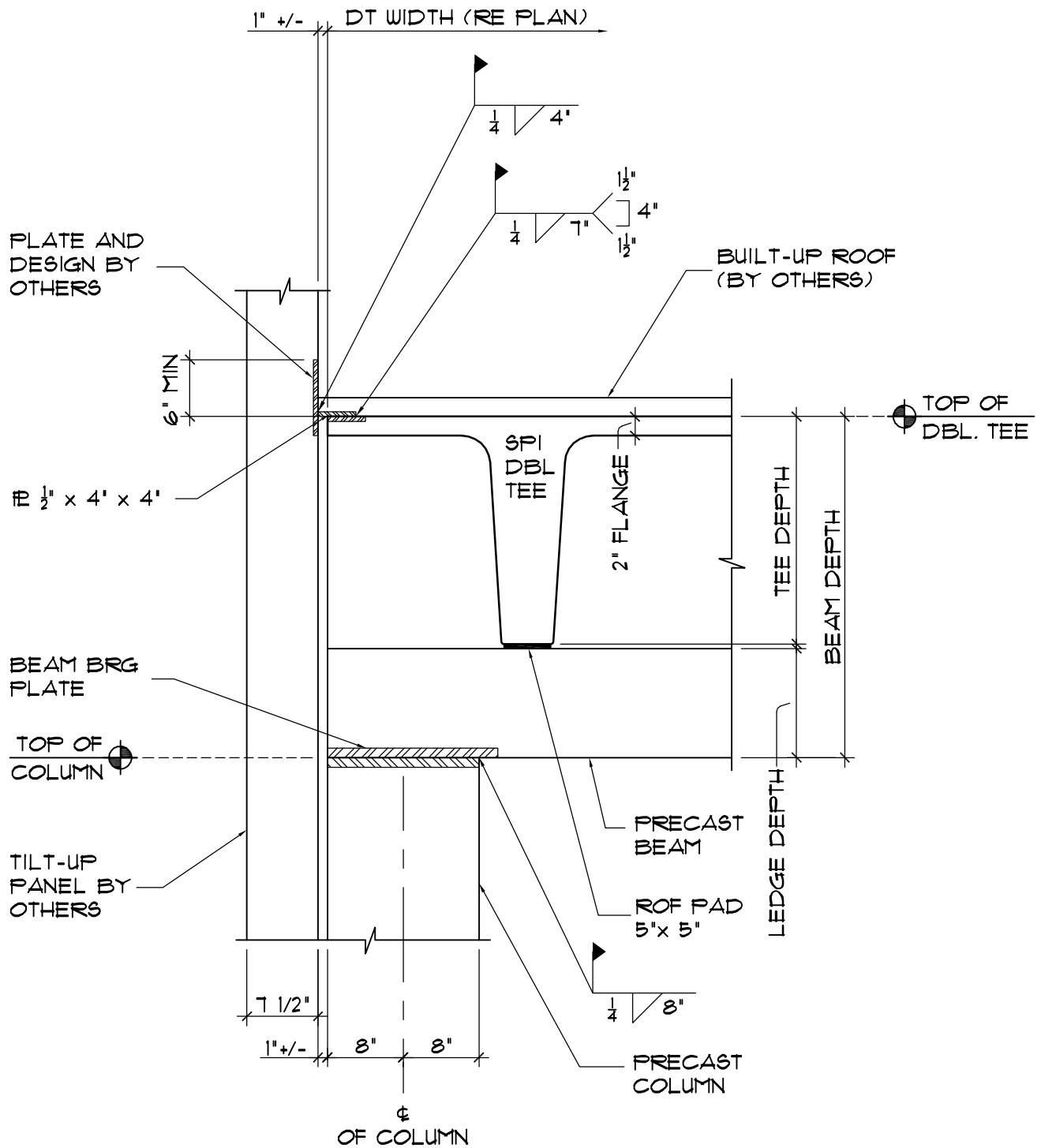
STANDARDS

CHK'D. BY: R. H.

DATE: 06-26-09

SHT. NO.

DT-13



CONNECTION • BEAM TO COLUMN/TILT-UP WALL AT ROOF

STANDARD DOUBLE TEE DETAIL

NO	REVISIONS	DATE



STRUCTURAL
PRESTRESSED
INDUSTRIES,
INC.

DRWG. BY: H. PEREZ

DATE: 06-26-09

JOB NO.

STANDARDS

CHK'D. BY: R. H.

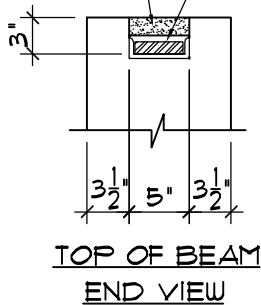
DATE: 06-26-09

SHT. NO.

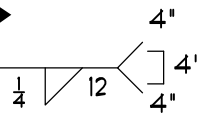
DT-14

2" x 4" x 6" STYROFORM
BLOCK BY OTHERS

PL 1 x 4 x 1'-0"

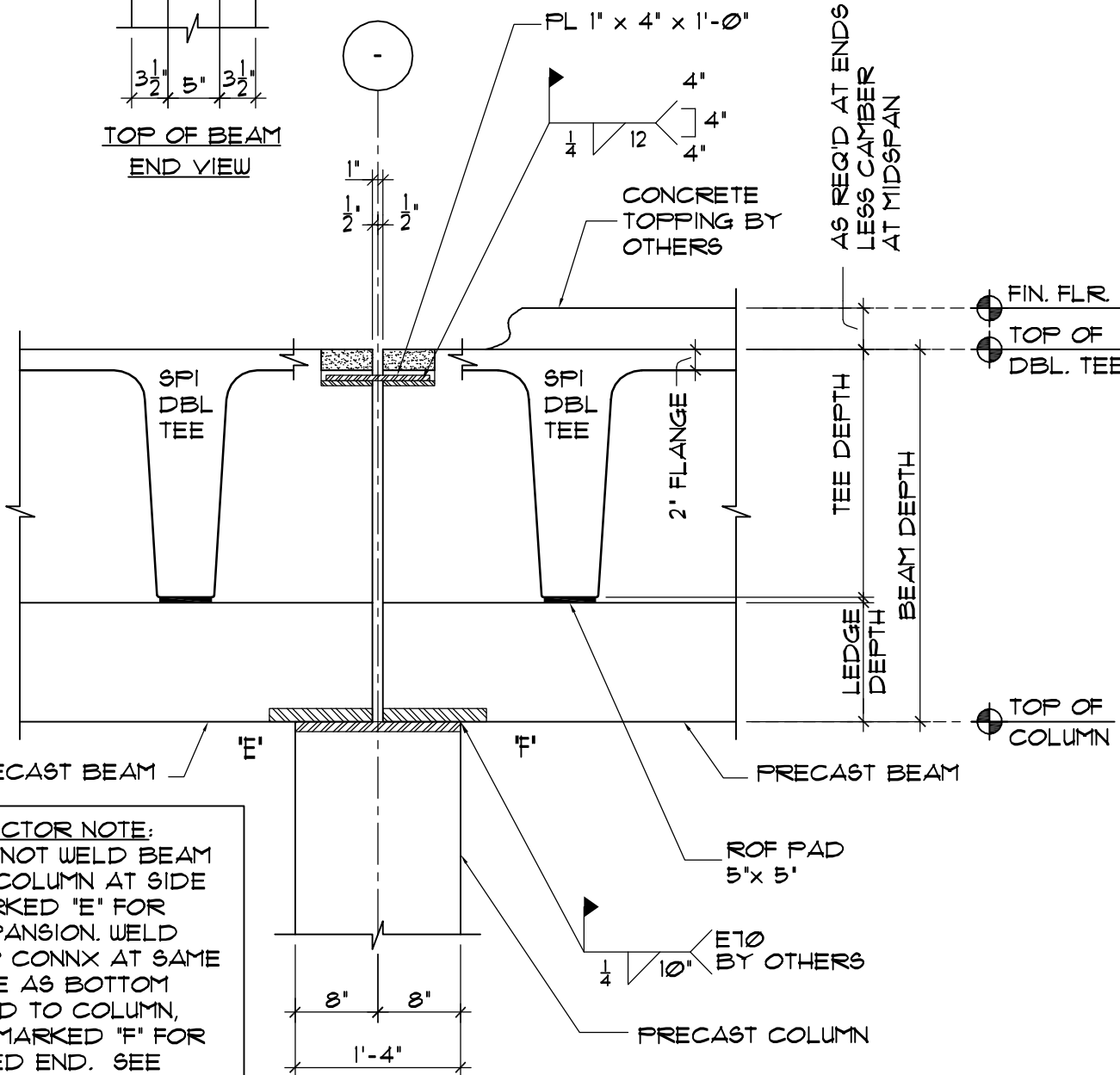


PL 1" x 4" x 1'-0"



CONCRETE
TOPPING BY
OTHERS

AS REQ'D AT ENDS
LESS CAMBER
AT MIDSPAN



ERECTOR NOTE:
DO NOT WELD BEAM
TO COLUMN AT SIDE
MARKED "E" FOR
EXPANSION. WELD
TOP CONNX AT SAME
SIDE AS BOTTOM
WELD TO COLUMN,
AS MARKED "F" FOR
FIXED END. SEE
PLAN.

CONNECTION • BEAM TO BEAM/COLUMN AT FLOOR

STANDARD DOUBLE TEE DETAIL

NO	REVISIONS	DATE



STRUCTURAL
PRESTRESSED
INDUSTRIES,
INC.

DRWG. BY: H. PEREZ

DATE: 06-26-09

JOB NO.

STANDARDS

CHK'D. BY: R. H.

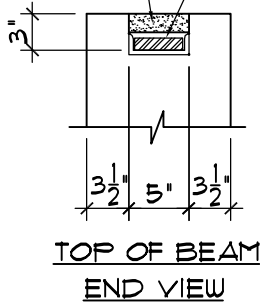
DATE: 06-26-09

SHT. NO.

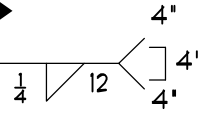
DT-15

2' x 4' x 6" STYROFORM
BLOCK BY OTHERS

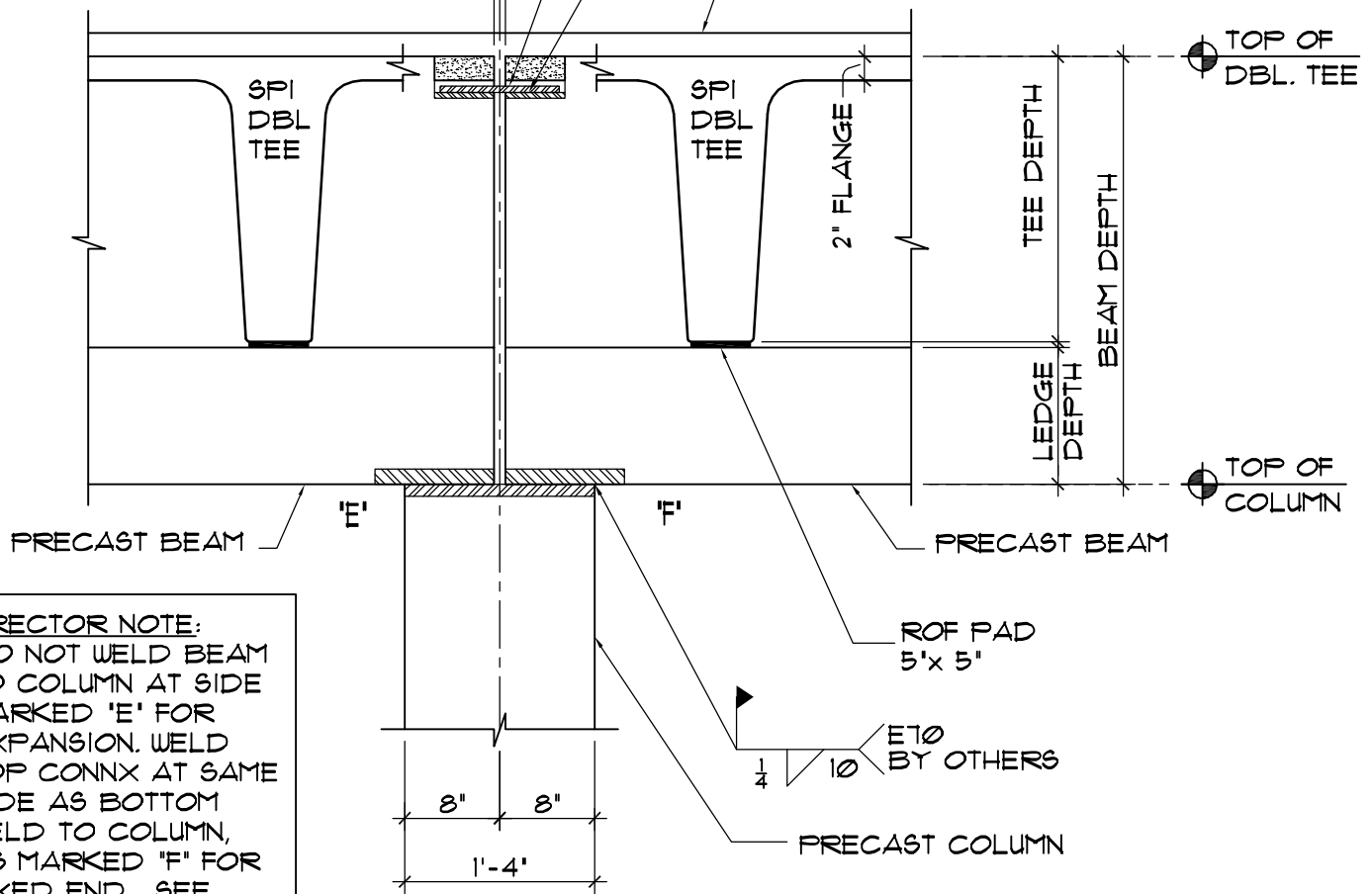
PL 1' x 4' x 1'-Ø"



PL 1' x 4' x 1'-Ø"



BUILT-UP ROOF
BY OTHERS



ERECTOR NOTE:
DO NOT WELD BEAM
TO COLUMN AT SIDE
MARKED 'E' FOR
EXPANSION. WELD
TOP CONNX AT SAME
SIDE AS BOTTOM
WELD TO COLUMN,
AS MARKED 'F' FOR
FIXED END. SEE
PLAN.

ROF PAD
5' x 5'

E70
BY OTHERS

PRECAST COLUMN

CONNECTION • BEAM TO BEAM/COLUMN AT ROOF

STANDARD DOUBLE TEE DETAIL

NO	REVISIONS	DATE



STRUCTURAL
PRESTRESSED
INDUSTRIES,
INC.

DRWG. BY: H. PEREZ

DATE: 06-26-09

JOB NO.

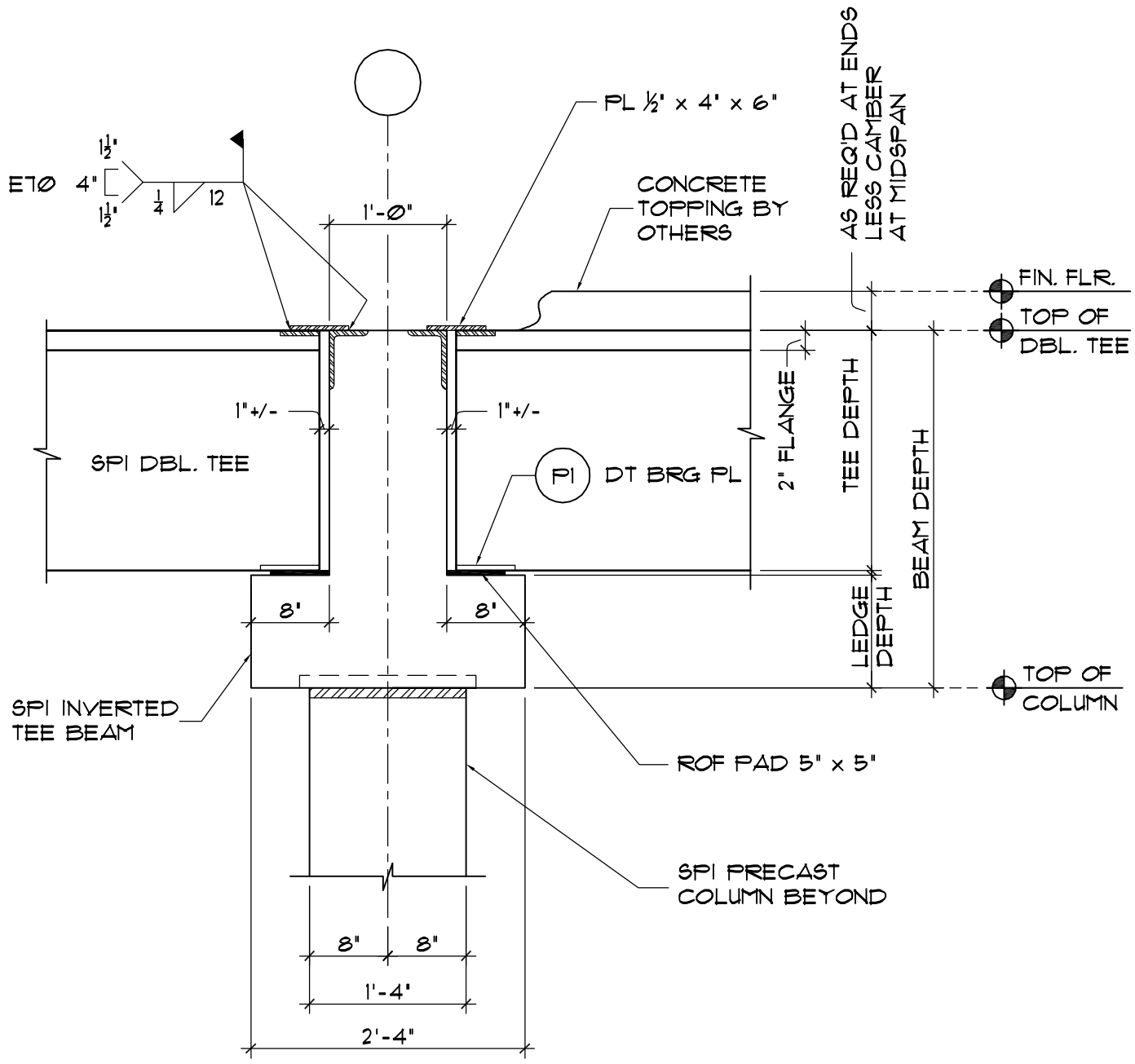
STANDARDS

CHK'D. BY: R. H.

DATE: 06-26-09

SHT. NO.

DT-16



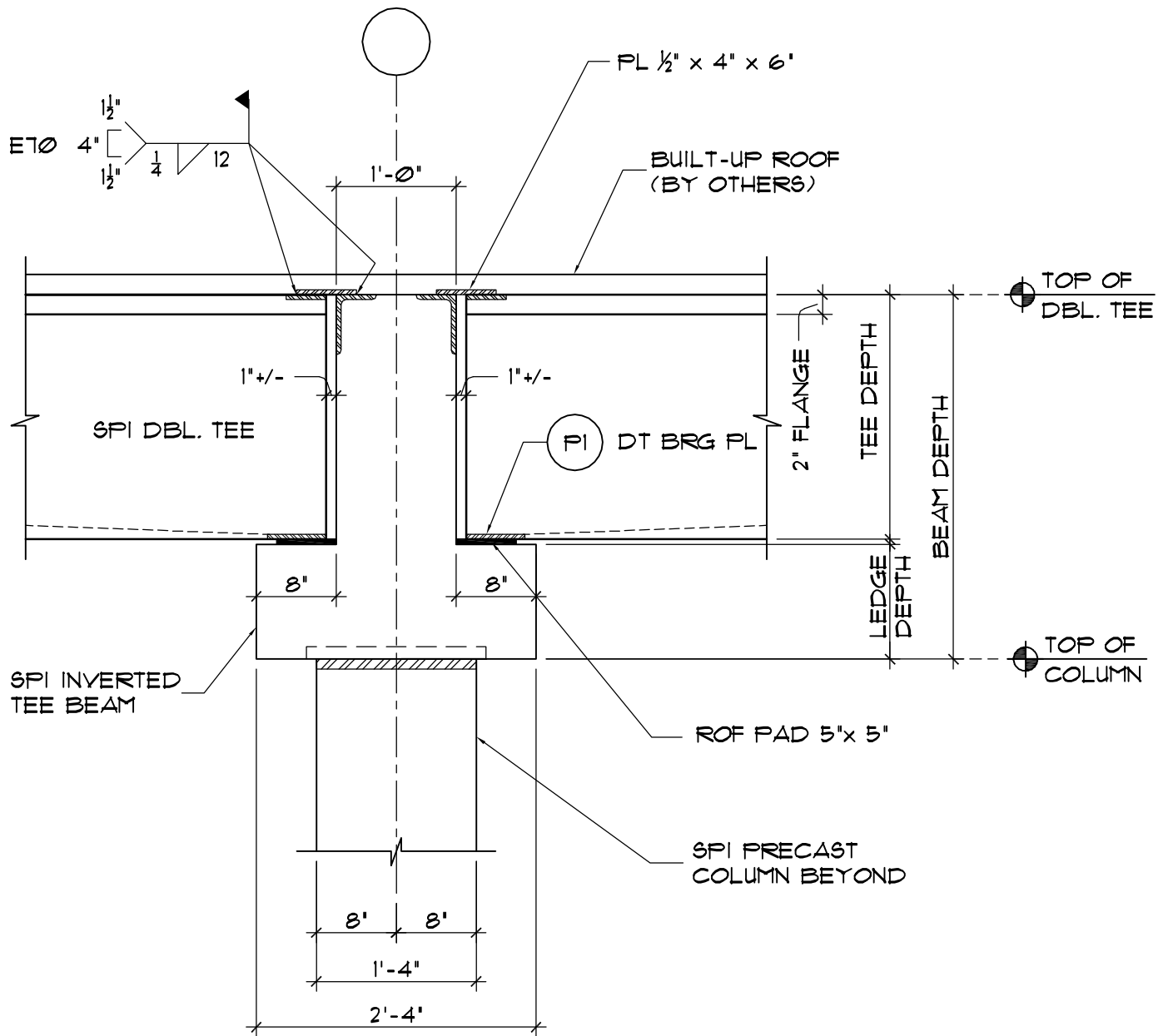
CONNECTION • DOUBLE TEE TO BEAM AT FLOOR
STANDARD DOUBLE TEE DETAIL

NO	REVISIONS	DATE

SPI

STRUCTURAL
PRESTRESSED
INDUSTRIES,
INC.

DRWG. BY: H. PEREZ	CHK'D. BY: R. H.
DATE: 06-26-09	DATE: 06-26-09
JOB NO. STANDARDS	SHT. NO. DT-17



CONNECTION • DOUBLE TEE TO BEAM AT ROOF

STANDARD DOUBLE TEE DETAIL

NO	REVISIONS	DATE



STRUCTURAL
PRESTRESSED
INDUSTRIES,
INC.

DRWG. BY: H. PEREZ

DATE: 06-26-09

JOB NO.

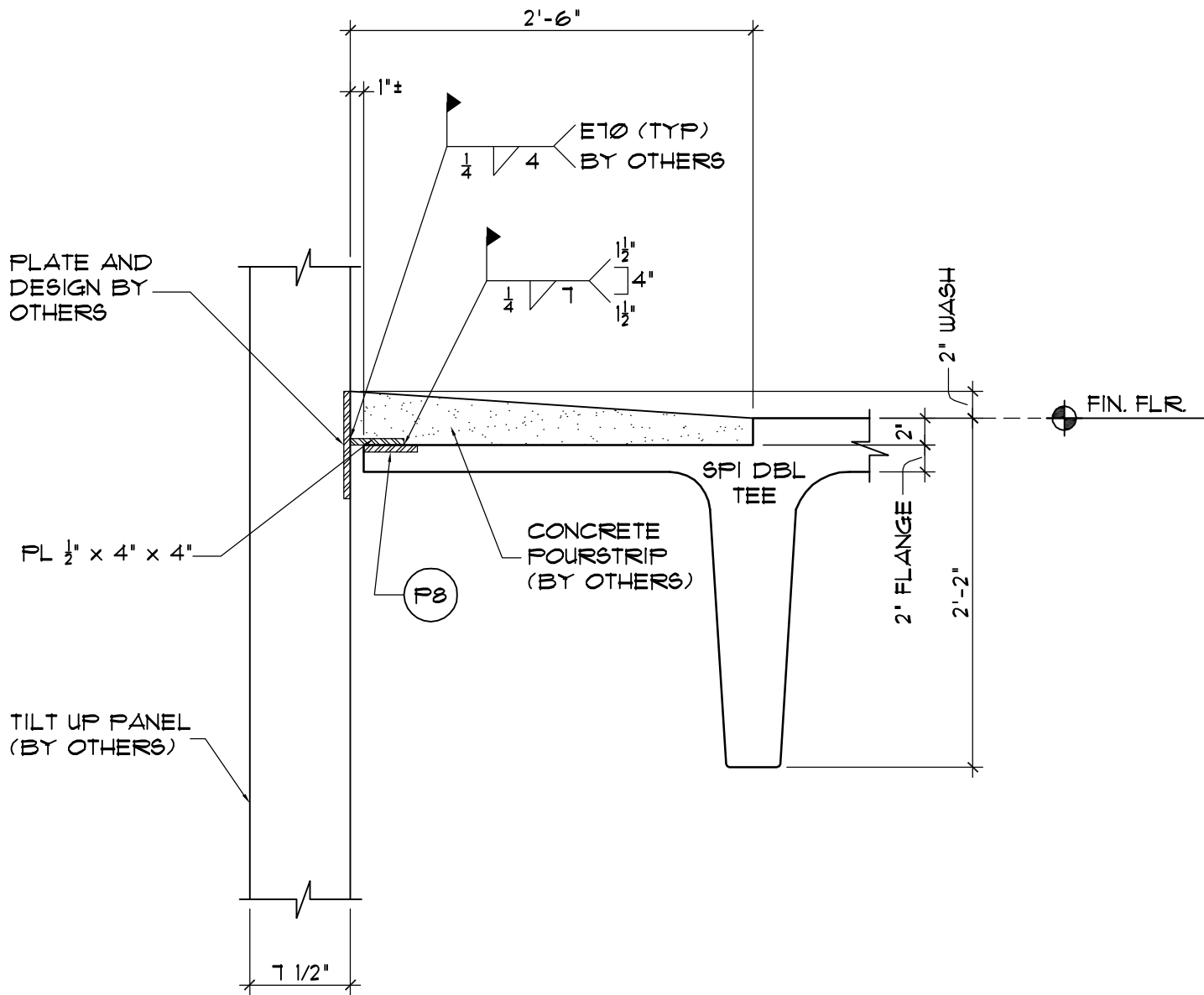
STANDARDS

CHK'D. BY: R. H.

DATE: 06-26-09

SHT. NO.

DT-18



CONNECTION • PRE-TOPPED DBL TEE AND TILT-UP PANEL PARKING GARAGE

STANDARD DOUBLE TEE DETAIL

NO	REVISIONS	DATE



**STRUCTURAL
PRESTRESSED
INDUSTRIES,
INC.**

DRWG. BY: H. PEREZ

DATE: 06-26-09

JOB NO.

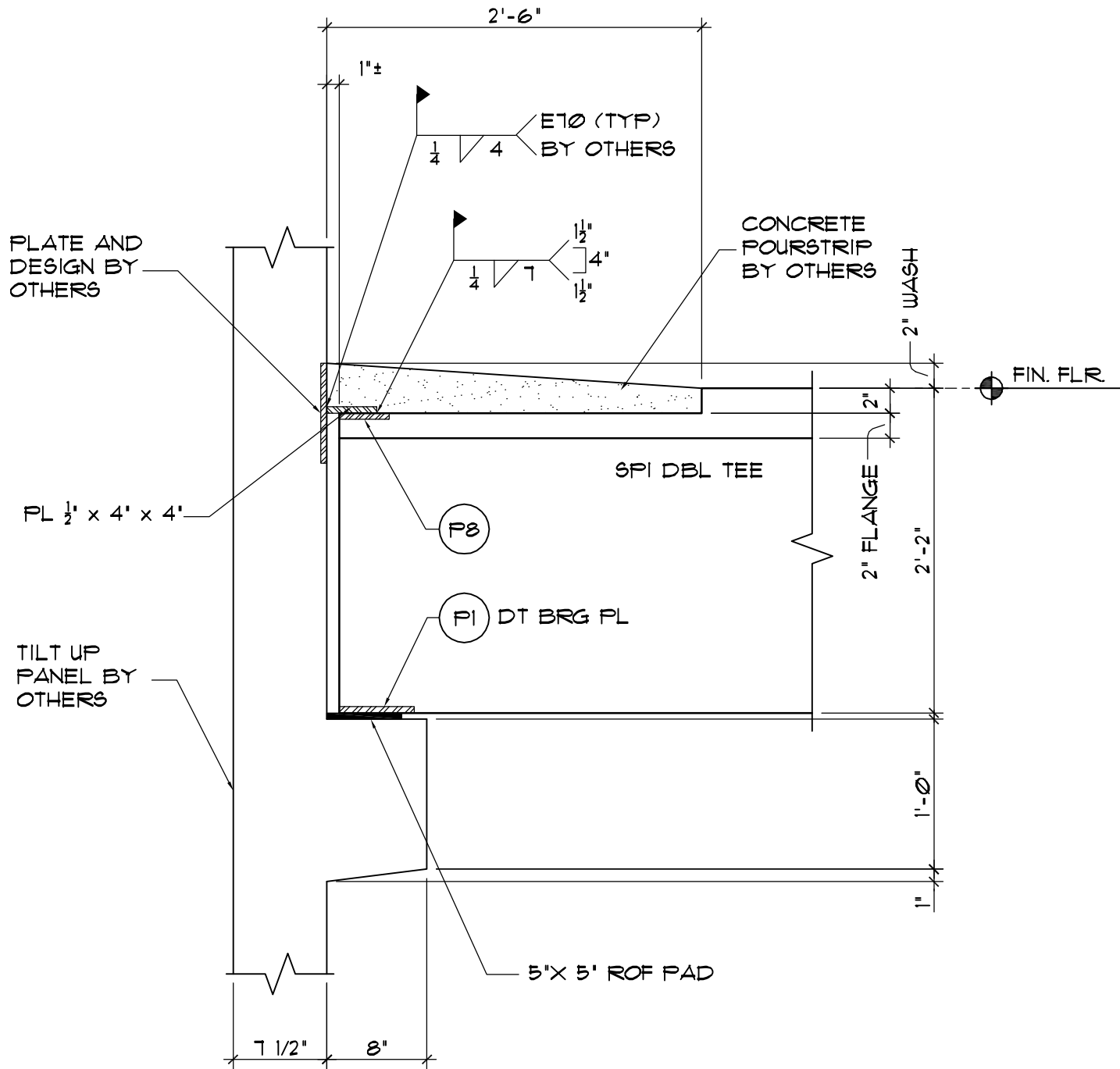
STANDARDS

CHK'D. BY: R.H.

DATE: 06-26-09

SHT. NO.

DT-19



CONNECTION • PRE-TOPPED DBL TEE AND TILT-UP PANEL PARQUING GARAGE
STANDARD DOUBLE TEE DETAIL

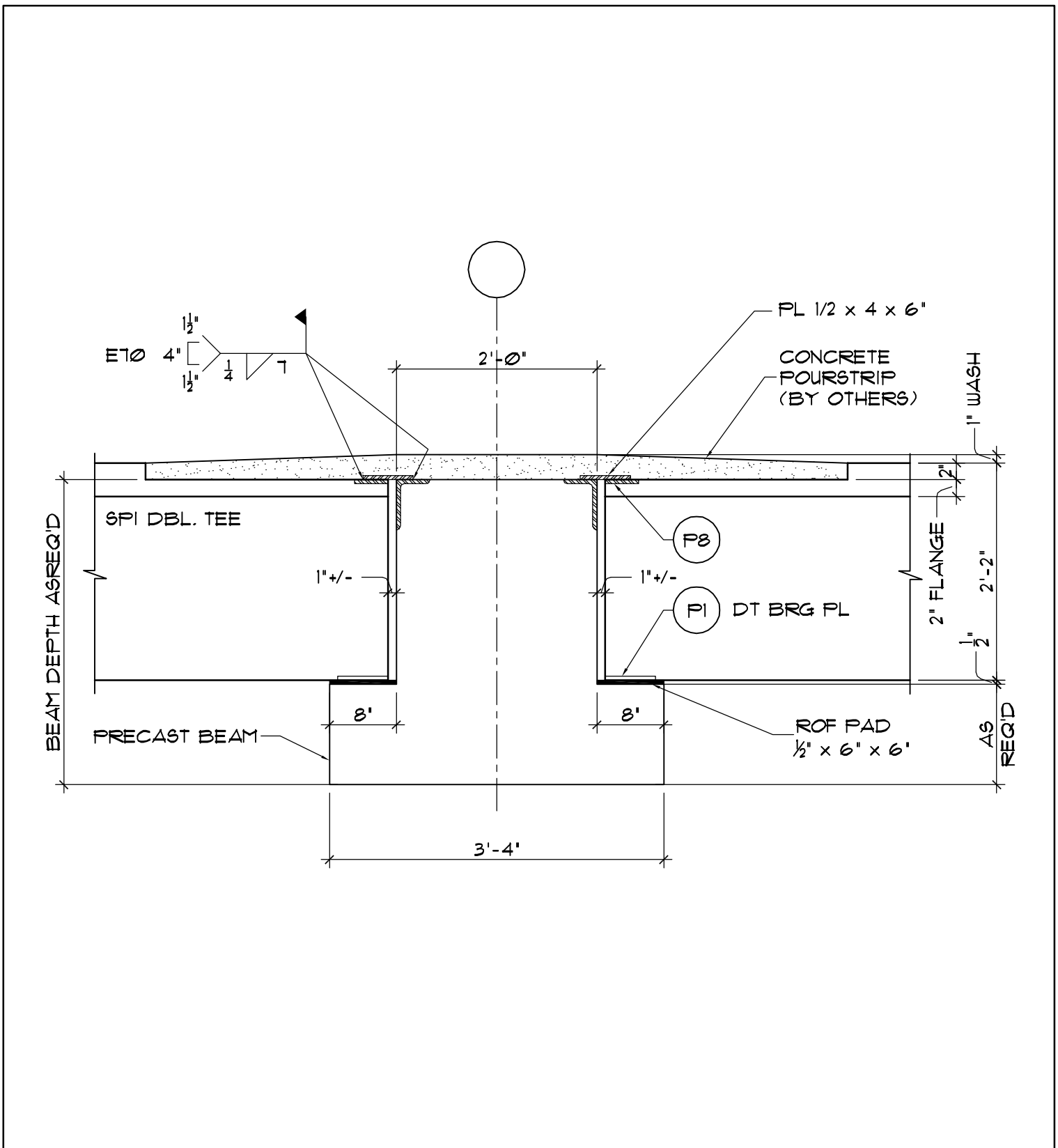
NO	REVISIONS	DATE



**STRUCTURAL
PRESTRESSED
INDUSTRIES,
INC.**

DRWG. BY: H. PEREZ
DATE: 06-26-09
JOB NO.
STANDARDS

CHK'D. BY: R. H.
DATE: 06-26-09
SHT. NO.
DT-20



CONNECTION • PRE-TOPPED DBL TEE TO BEAM PARQUING GARAGE
STANDARD DOUBLE TEE DETAIL

NO	REVISIONS	DATE


**STRUCTURAL
 PRESTRESSED
 INDUSTRIES,
 INC.**

DRWG. BY: H. PEREZ
 DATE: 06-26-09
 JOB NO.
 STANDARDS

CHK'D. BY: R. H.
 DATE: 06-26-09
 SHT. NO.
DT-21